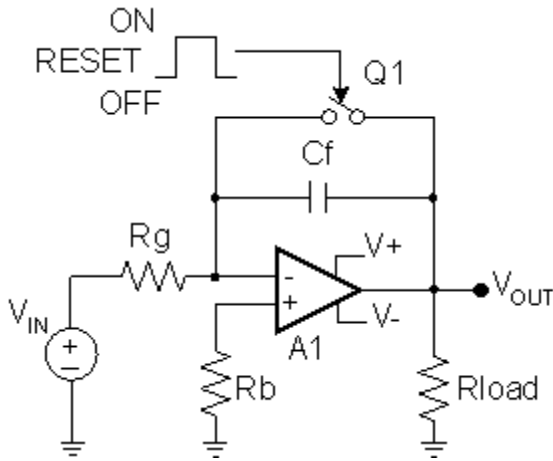


DesignName: 积分器



Required Parameters	
Integration time (DeltaT):	3 ms
Maximum input voltage (VinMax):	1 V
Minimum input voltage (VinMin):	-1 V
Supply voltage:	5V
Optional Parameters	
Is this a portable system?	Y
Preferred output swing:	Rail-to-Rail (R-R)

Designer's Input specifications

DeltaT	= 3 ms
OutputType	= Rail-to-Rail (R-R)
Portable	= Y
Supply	= 5V
VinMax	= 1 V
VinMin	= -1 V
VminusOther	= -5 V
VplusOther	= 5 V

Parts List Summary

A1:	Texas Instruments	LMC8101	
Cf:	AVX	08055C124KAT2A	0.12 uF
Rb:	Vishay-Dale	CMF5010K000FHEB	10000 Ohms
Rg:	Vishay-Dale	CMF5010K000FHEB	10000 Ohms
Rload:	Vishay-Dale	CMF5010K000FHEB	10000 Ohms

Component : IC

PartNumber: LMC8101MM
Manufacturer: National Semiconductor

Topology: Integrator

Component : A1

PartNumber: CMF5010K000FHEB
Manufacturer: Vishay-Dale
Resistance: 1e+04 Ohms
Tc: 50 \diamond C/W
DCVolt: 200
Tolerance: 1 %
Type: TH
Technology: Metal Film
Series: CMF50
Power: 0.250000
Package: Axial

Component : Cf

PartNumber: 08055C124KAT2A
Manufacturer: AVX
Mount: SMT
Height: 0.94mm
Cap: 0.120 uF
Tolerance: 10 %
VDC: 50 V
ESR: 0.022 Ohms
IRMS: 0 A
TaMin: -55 \diamond C
TaMax: 125 \diamond C

Component : Rb

PartNumber: CMF5010K000FHEB
Manufacturer: Vishay-Dale
Resistance: 1e+04 Ohms
Tc: 50 \diamond C/W
DCVolt: 200
Tolerance: 1 %

Type: TH
Technology: Metal Film
Series: CMF50
Power: 0.250000
Package: Axial

Component : Rg

PartNumber: CMF5010K000FHEB
Manufacturer: Vishay-Dale
Resistance: 1e+04 Ohms
Tc: 50 \diamond C/W
DCVolt: 200
Tolerance: 1 %
Type: TH
Technology: Metal Film
Series: CMF50
Power: 0.250000
Package: Axial

Component : Rload

PartNumber: CMF5010K000FHEB
Manufacturer: Vishay-Dale
Resistance: 1e+04 Ohms
Tc: 50 \diamond C/W
DCVolt: 200
Tolerance: 1 %
Type: TH
Technology: Metal Film
Series: CMF50
Power: 0.250000
Package: Axial